



FEATURES

- Quick clamp for commercial tubing
- Requires a simple hole
- Max pressure 5 bar
- Max temperature 100°C

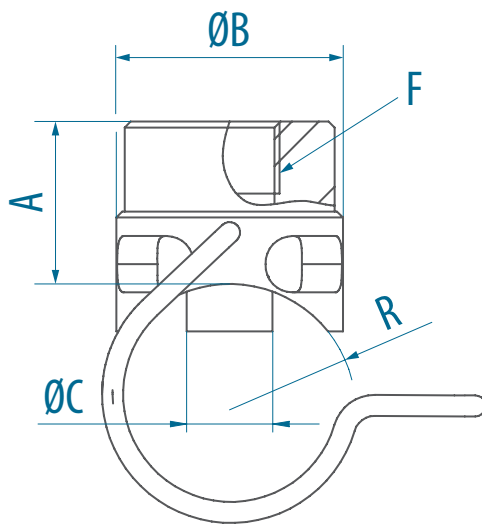


APPLICATIONS

- Washing machines
- Treatment lines
- Pasteurizers

FAST PU Series

Quick clamp nozzle holder



OPERATIVE DATA

Tube clamp (NPS)			Threaded connection		Dimensions			Hole on Tube
NPS	R	Color	BSP F.	Code	A	B	C	
1/2"	11	Yellow	1/8"	FAST04PU1XAA4	27	37	8,5	9
1/2"	11	Yellow	1/4"	FAST04PU2XAA4	27	37	8,5	9
3/4"	14	Green	1/8"	FAST05PU1XAA5	27	37	10,5	11
3/4"	14	Green	1/4"	FAST05PU2XAA5	27	37	10,5	11
3/4"	14	Green	3/8"	FAST05PU3XAA5	27	37	10,5	11
1"	17	Blue	1/8"	FAST06PU1XAA6	27	37	12,5	13
1"	17	Blue	1/4"	FAST06PU2XAA6	27	37	12,5	13
1"	17	Blue	3/8"	FAST06PU4XAA6	27	37	12,5	13
1"	17	Blue	1/2"	FAST06PU4XAA6	27	37	12,5	13
1 1/4"	22	Orange	1/4"	FAST07PU2XAA7	29	38	14,5	15
1 1/4"	22	Orange	3/8"	FAST07PU3XAA7	29	38	14,5	15
1 1/4"	22	Orange	1/2"	FAST07PU4XAA7	29	38	14,5	15
1 1/4"	22	Orange	3/4"	FAST07PU5XAA7	29	38	14,5	15
1 1/2"	25	Lilac	1/4"	FAST08PU2XAA8	29	38	14,5	15
1 1/2"	25	Lilac	3/8"	FAST08PU3XAA8	29	38	14,5	15
1 1/2"	25	Lilac	1/2"	FAST08PU4XAA8	29	38	14,5	15
1 1/2"	25	Lilac	3/4"	FAST08PU5XAA8	29	38	14,5	15
2"	30	Red	1/4"	FAST09PU2XAA9	31	38	15	16
2"	30	Red	3/8"	FAST09PU3XAA9	31	38	15	16
2"	30	Red	1/2"	FAST09PU4XAA9	31	38	15	16
2"	30	Red	3/4"	FAST09PU5XAA9	31	38	15	16