

## FAST SF Series

Quick clamp  
with adjustable sphere



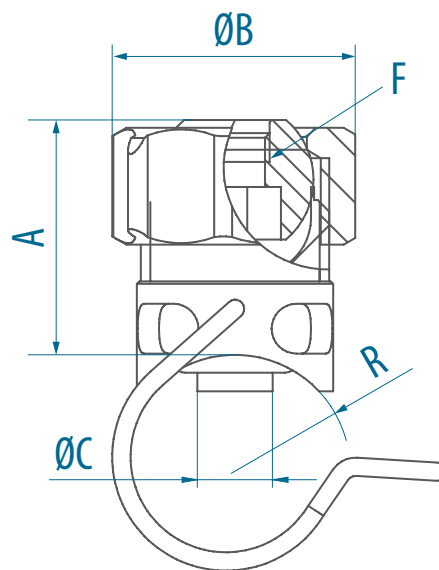
### FEATURES

- Quick clamp for commercial tubing
- Adjustable connection
- Max pressure 5 bar
- Max temperature 100 °C



### APPLICATIONS

- Washing machines
- Treatment lines
- Pasteurizers



### OPERATIVE DATA

Tube clamp (NPS)			Threaded connection			Dimensions			Hole on Tube
NPS	R	Color	BSP F.	Sfera	Code	A	B	C	
1/2"	11	Yellow	1/8"	D22	FAST04SF1XAB4	40	43	8,8	9
1/2"	11	Yellow	1/4"	D22	FAST04SF2XAB4	40	43	8,8	9
3/4"	14	Green	1/8"	D22	FAST05SF1XAB5	40	43	10,8	11
3/4"	14	Green	1/4"	D22	FAST05SF2XAB5	40	43	10,8	11
1"	17	Blue	1/8"	D22	FAST06SF1XAB6	40	43	12,8	13
1"	17	Blue	1/4"	D22	FAST06SF2XAB6	40	43	12,8	13
1"	17	Blue	3/8"	D30	FAST06SF3XAB6	45	50	12,8	13
1 1/4"	22	Orange	1/8"	D30	FAST07SF1XAB7	45	50	14,5	15
1 1/4"	22	Orange	1/4"	D30	FAST07SF2XAB7	45	50	14,5	15
1 1/4"	22	Orange	3/8"	D30	FAST07SF3XAB7	45	50	14,5	15
1 1/4"	22	Orange	1/8"	D30	FAST07SF1XF21	45	50	20	21
1 1/4"	22	Orange	1/4"	D30	FAST07SF2XF21	45	50	20	21
1 1/4"	22	Orange	3/8"	D30	FAST07SF3XF21	45	50	20	21
1 1/2"	25	Lilac	1/8"	D30	FAST08SF1XAB7	45	50	14,5	15
1 1/2"	25	Lilac	1/4"	D30	FAST08SF2XAB7	45	50	14,5	15
1 1/2"	25	Lilac	3/8"	D30	FAST08SF3XAB7	45	50	14,5	15