



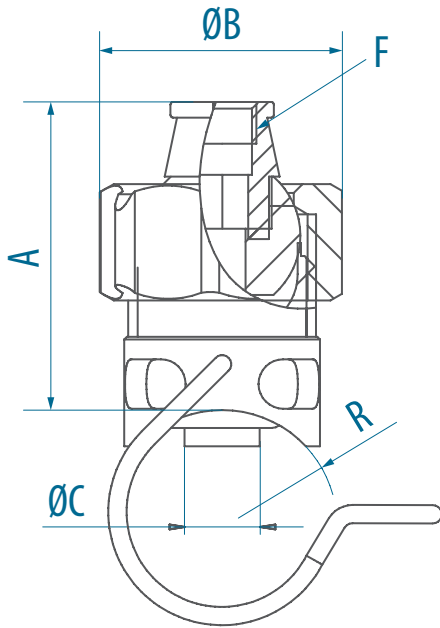
FEATURES

- Quick clamp for commercial tubing
- Adjustable connection, memo-replacing
- Max pressure 5 bar
- Max temperature 100°C



APPLICATIONS

- Washing machines
- Treatment lines
- Pasteurizers



FAST SF-IR Series

*Quick clamp
with memory connection*



OPERATIVE DATA

Tube clamp (NPS)			Threaded connection		Dimensions			Hole on Tube
NPS	R	Color	BSP F.	Code	A	B	C	
1"	17	Blue	1/4"	FAST06IR2XIR6	59	50	12,8	13
1 1/4"	22	Orange	1/4"	FAST07IR2XIR7	59	50	14,5	15
1 1/4"	22	Orange	1/4"	FAST07IR2XF21	59	50	20	21
1 1/2"	25	Lilac	1/4"	FAST08IR2XIR8	59	50	14,5	15