



FEATURES

- No-swirl full cone jet
- Built-in quick clamp
- Max temperature 100°C

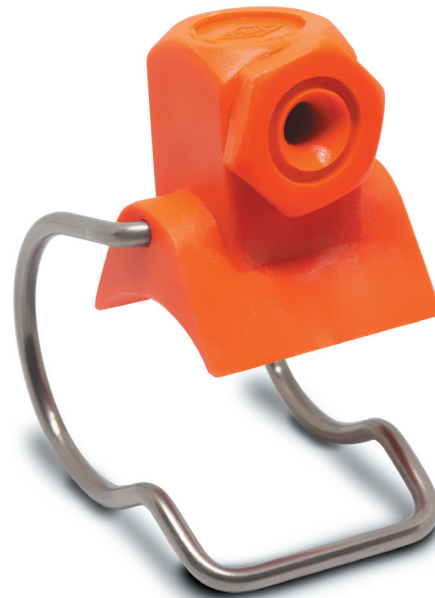
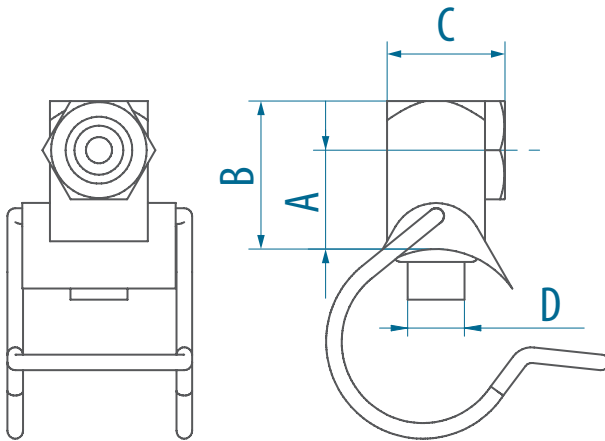


APPLICATIONS

- Pasteurizers

OCLFR Series

Tangential-flow full cone nozzles

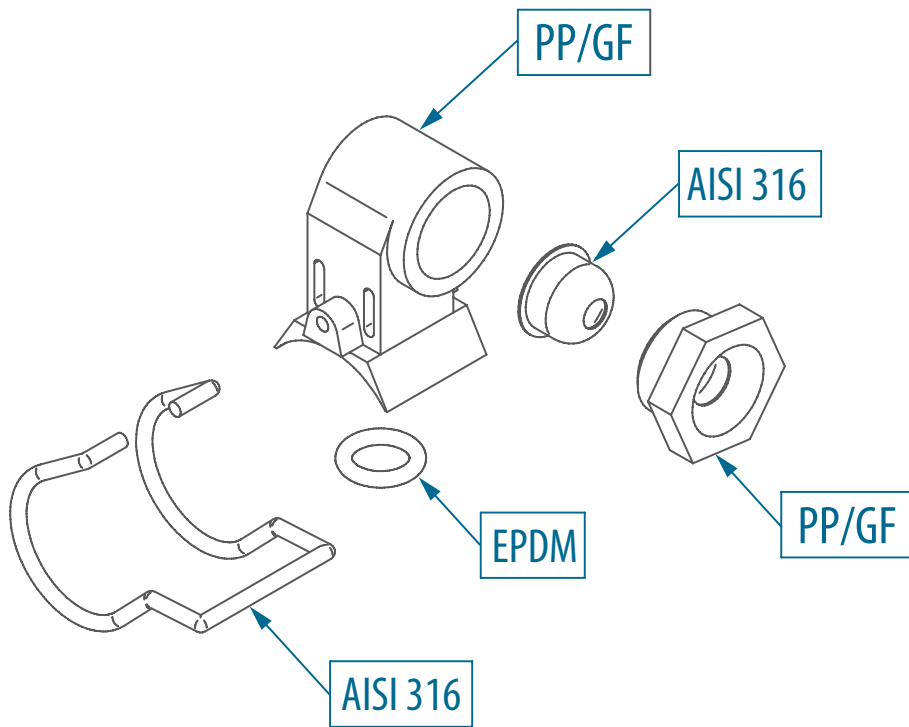


Dim.	Thread Code	
	W06	W07
NPS	1"	1 1/4"
A	23	23
B	33	33
C	27	27
D	12,8	12,8
Color		

OPERATIVE DATA

ANGLE	Mat.	Clamp		FLOW CODE	Operating curve								
	33	W06	W07		Flow-rate discharged [l/min] at pressure [bar(g)]								
	PP/GF	NPS 1"	NPS 1 1/4"		0,5	0,7	1	1,5	2	2,5	3	5	
90°	x	x	-	464	5,00	5,92	7,07	8,66	10,00	11,2	12,3	15,8	
	x	-	x	494	9,00	10,7	12,7	15,6	18,0	20,1	22,1	28,5	
	x	-	x	516	14,0	16,6	19,8	24,3	28,0	31,3	34,3	44,3	

OCLWFR/CLWFR Series



OCLFR Series

